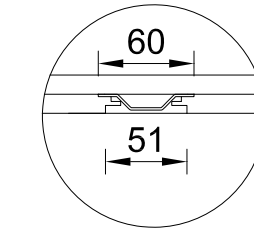
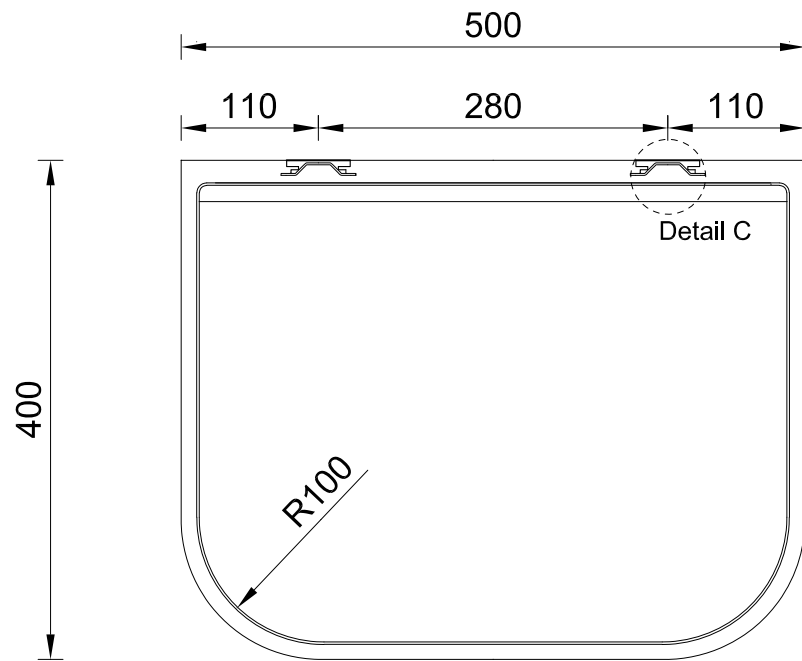
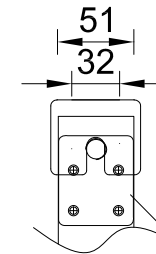


Primo Specialist Healthcare Basin

Healthcare 332



Detail C
Built-in wall bracket plate



Wall plate
Wall hung illustration

